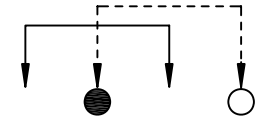
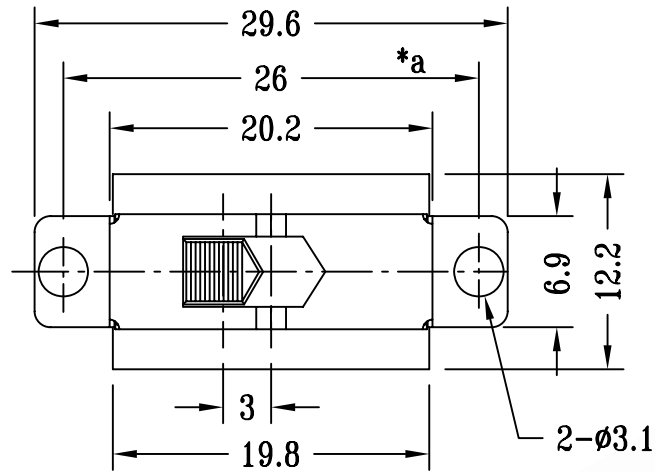
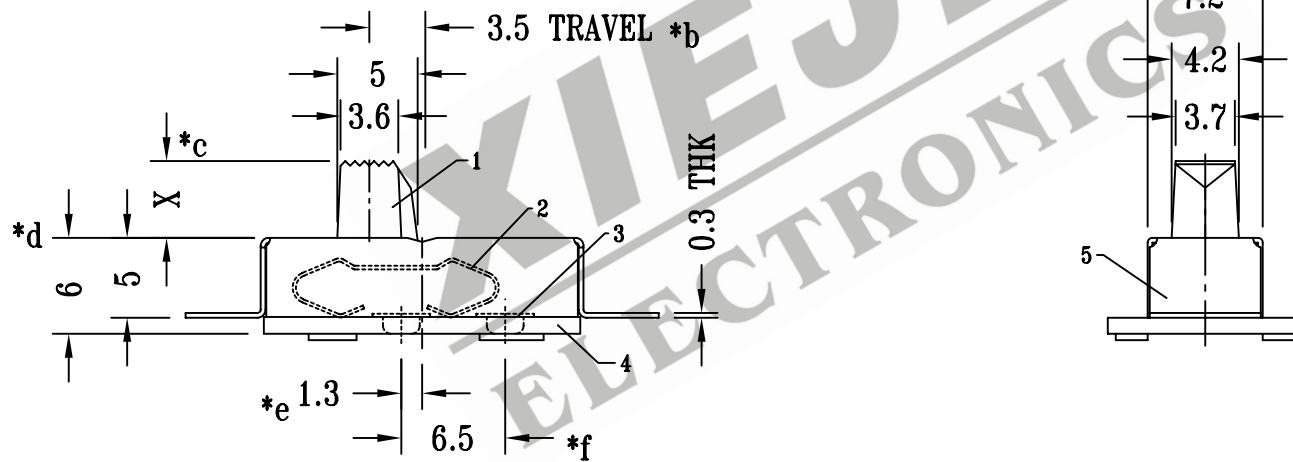


CAD FILE :



SCHEMATIC



注:带"\*"表示关键尺寸(6个)

8					TOLERANCE UNLESS SPECIFIED	SHENZHEN XIEJIA ELECTRONICS CO.,LTD.				
7						WITHIN: 1.5±0.1mm OVER : 1.5±0.2mm	ISSUE	DATE	DESCRIPTONS	APPD
6										
5	FRAME	STEEL STRIP	1	Ni PLATED	TITLE: VERTICAL SLIDE SWITCH	UNIT : M M		DRWG NO : XJ-DR-SS11G02-00		
4	TERMINAL BASE	HARD PAPER	1	RED		MODEL: SS-11G02	SCALE : 2:1		DWN.	ZHOUYU
3	TERMINAL	BRASS STRIP	2	NATURAL	ALL MATERIALS MUST BE COMPLIANT TO ROHS		CHK'D	FANGYING	2002-10-13	
2	CONTACT CLIP	PBS	1	NATURAL		APPD.	KANGXINAN	2002-10-13		
1	KNOB	POM	1	RED						
NO.	PART NAME	MATERIAL	QTY.	FINISHING						